

HIGH PERFORMANCE
Model Gas Engine
RZ254
Evolution Version

Engine Features

- 4 bearings crank case
- 6001 standard bearing for crankshaft
- Stronger crankshaft and connecting rod
- Walbro WT-927 carburetor
- Water cooling cylinder
- Start pulley

WARNING



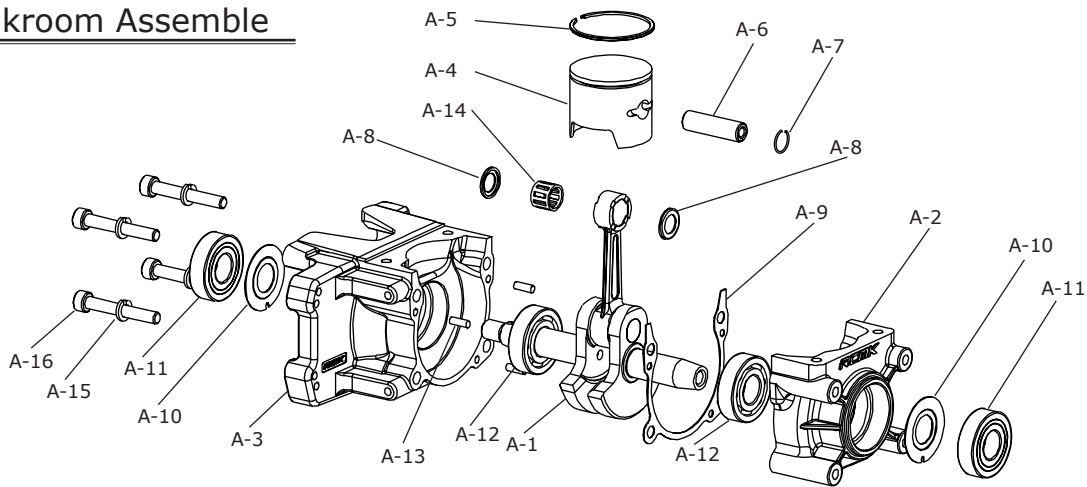
Model Gas Engine **RZ254**
www.rcmk.com

- Before use engine, read description necessarily.
- This engine is designed and made for use on model boat. So we recommend to use on model boat
- Use genuine parts for replacement.
- Check the bolts fixation condition of engine every time. If the bolts are loosed, fix the loosed bolt, and after check once again.

Assembly Method



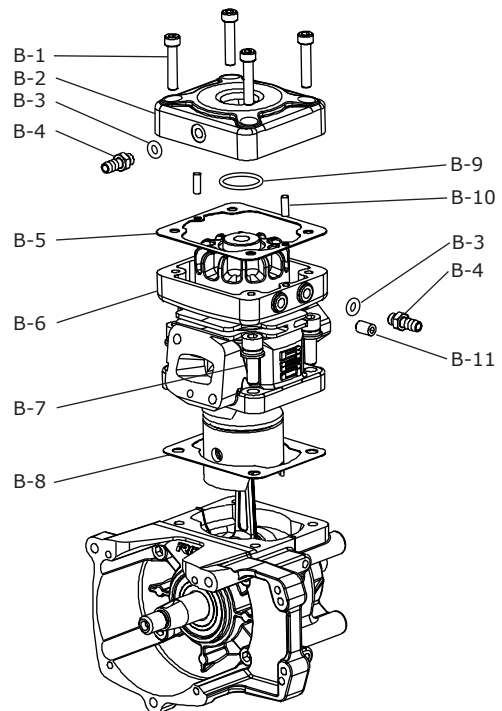
A. Crankroom Assemble



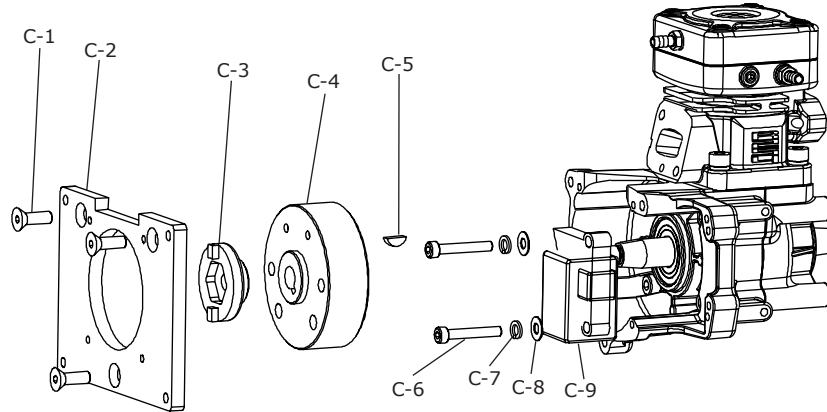
| Key | Part Number | Description | Q'TY | Key | Part Number | Description | Q'TY |
|-----|-------------|--------------------------|------|------|-------------|----------------------------------|------|
| A-1 | 0207000007 | Crank assembly | 1 | A-9 | 0207000080 | Gasket for RZ Crankcase | 1 |
| A-2 | 0207000078 | RZ Crankcase Front | 1 | A-10 | 0207000071 | Brass oil plate | 2 |
| A-3 | 0207000078 | RZ Crankcase Rear | 1 | A-11 | 3703000004 | Bearing 6001JRLLU | 2 |
| A-4 | 0207000083 | RZ254 Piston | 1 | A-12 | 3703000003 | Bearing 6001C3 | 2 |
| A-5 | 0207000025 | R254 Piston Ring | 1 | A-13 | 0207000027 | Pin 3P x 5 | 3 |
| A-6 | 0207000038 | Piston pin for R254 | 1 | A-14 | 3704000001 | Needle Roller Bearing KT 8 11 10 | 1 |
| A-7 | 0207000028 | Snap-ring - C type | 1 | A-15 | - | Spring Washer P5 | 4 |
| A-8 | 0207000012 | Wrist Pin Bearing Spacer | 2 | A-16 | - | Bolt M5 x 35 | 4 |

B. Cylinder Assemble

| Key | Part Number | Description | Q'TY |
|------|-------------|-----------------------------|------|
| B-1 | - | Bolt M4 x 20 | 4 |
| B-2 | 0207000076 | R254 evolution Cylinder Cap | 1 |
| B-3 | 4602000004 | O-ring P4 | 2 |
| B-4 | 0403000002 | Fitting M5 | 2 |
| B-5 | 0207000032 | Gasket for Cylinder Head | 1 |
| B-6 | 0207000077 | RZ Cylinder | 1 |
| B-7 | - | Bolt M5 x 17 | 4 |
| B-8 | 0207000031 | Gasket for Cylinder | 1 |
| B-9 | 4602000006 | O-ring 16 x 2 | 1 |
| B-10 | 0207000027 | Pin 3P x 5 | 2 |
| B-11 | - | Set screw M5 x 8 | 1 |

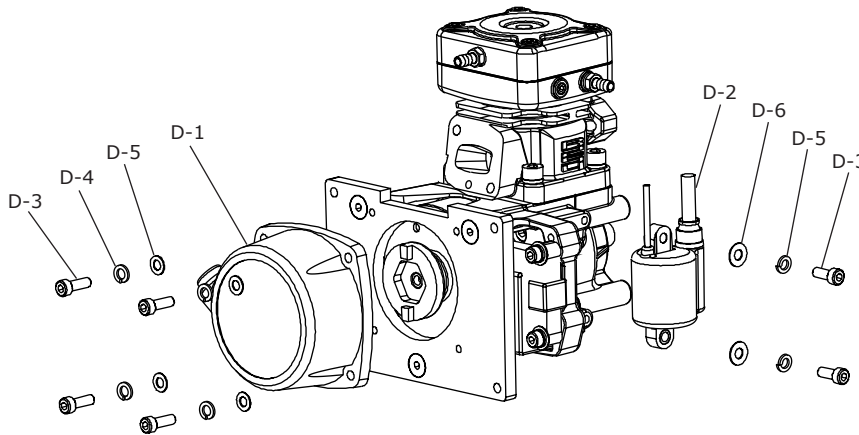


C. Rotor Assemble



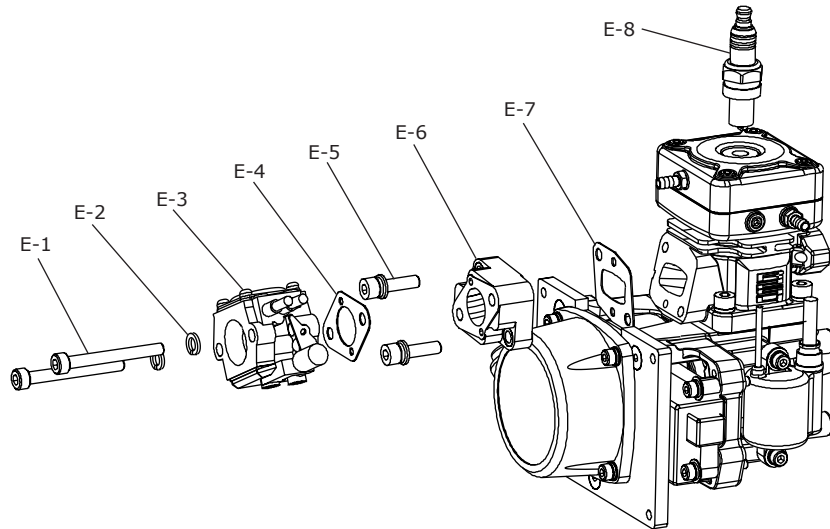
| Key | Part Number | Description | Q'TY | Key | Part Number | Description | Q'TY |
|-----|-------------|---------------------|------|-----|-------------|------------------|------|
| C-1 | - | Bolt M5 x 15 | 3 | C-6 | - | Bolt M4 X 20 | 2 |
| C-2 | - | Mount (Not include) | 1 | C-7 | - | Spring Washer P4 | 2 |
| C-3 | 0207000060 | Starter Pulley Nut2 | 1 | C-8 | - | Washer P4 | 2 |
| C-4 | 0207000081 | RZ Rotor | 1 | C-9 | 0207000010 | R254 Source Coil | 1 |
| C-5 | 0207000024 | Woodruff Key | 1 | | | | |

D. Coil Assemble



| Key | Part Number | Description | Q'TY | Key | Part Number | Description | Q'TY |
|-----|-------------|--------------------|------|-----|-------------|-------------------|------|
| D-1 | 0207000047 | Recoil Starter | 1 | D-4 | - | Spring Washer P4 | 6 |
| D-2 | 0207000011 | R254 Ignition Coil | 1 | D-5 | - | Washer P4 (small) | 2 |
| D-3 | - | Bolt M4 x 12 | 6 | D-6 | - | Washer P4 | 4 |

E. Caburator Assamble



| Key | Part Number | Description | Q'TY | Key | Part Number | Description | Q'TY |
|-----|-------------|-----------------------|------|-----|-------------|----------------------|------|
| E-1 | - | Bolt M5 x 45 | 2 | E-5 | - | Bolt M5 X 20 | 2 |
| E-2 | - | Spring Washer P5 | 2 | E-6 | 0207000016 | R254 Insulator block | 1 |
| E-3 | 4001000002 | Carburator WT-929 | 1 | E-7 | 0207000034 | Gasket for Insulator | 1 |
| E-4 | 0207000030 | Gasket for Carburator | 1 | E-8 | 4801000001 | Spark Plug - CMR7H | 1 |