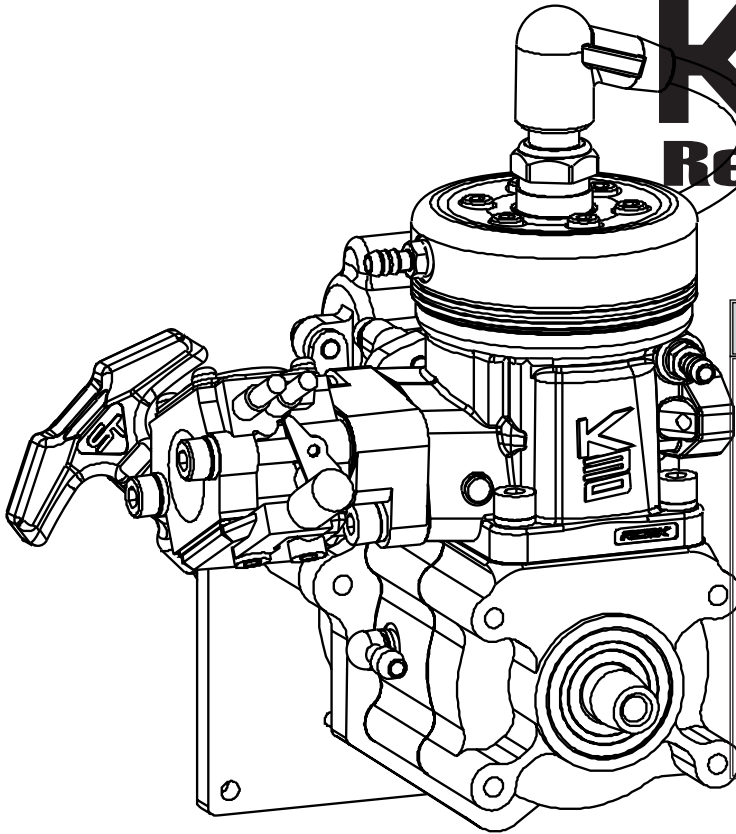


HIGH PERFORMANCE
Model Gas Engine
K30SX
Reverse Rotation



Engine Features

- 4 bearings crank case
- 6001 standard bearing for crankshaft
- Stronger crankshaft and connecting rod
- Walbro WT-929 carburetor
- Modified piston
- Water cooling cylinder
- Start pulley

WARNING



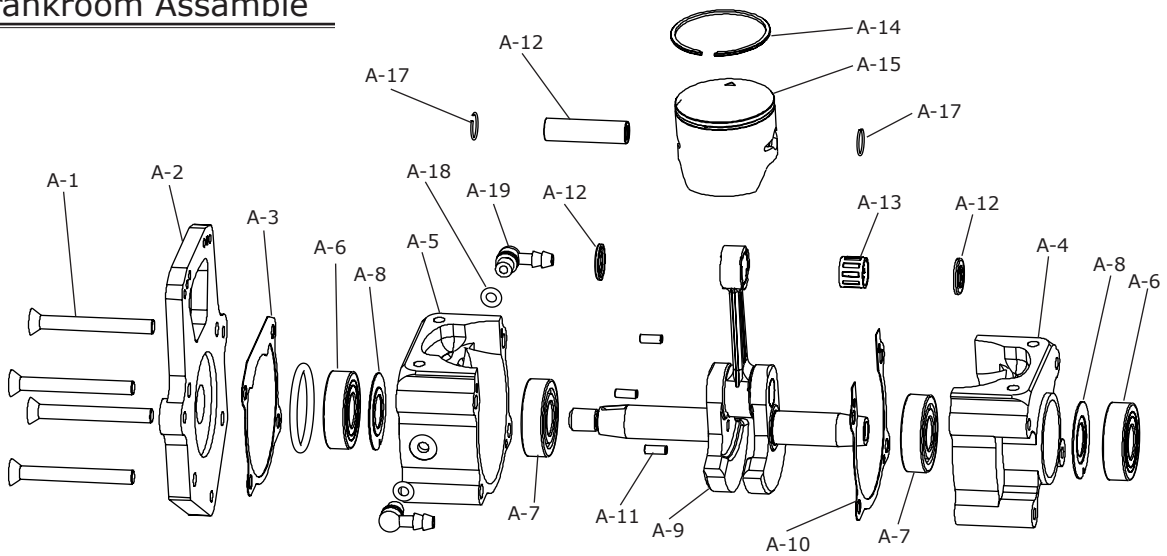
Model Gas Engine **K30SX-R**
www.rcmk.com

- Before use engine, read description necessarily.
- This engine is designed and made for use on model boat. So we recommend to use on model boat
- Use genuine parts for replacement.
- Check the bolts fixation condition of engine every time. If the bolts are loosed, fix the loosed bolt, and after check once again.

Assembly Method

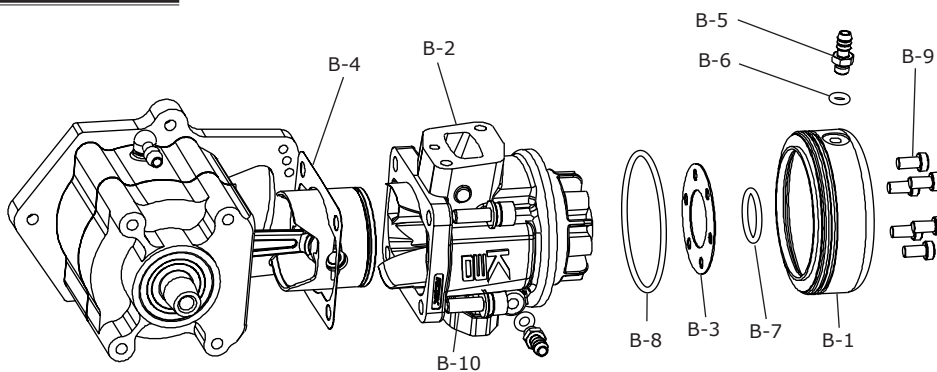


A. Crankroom Assamble



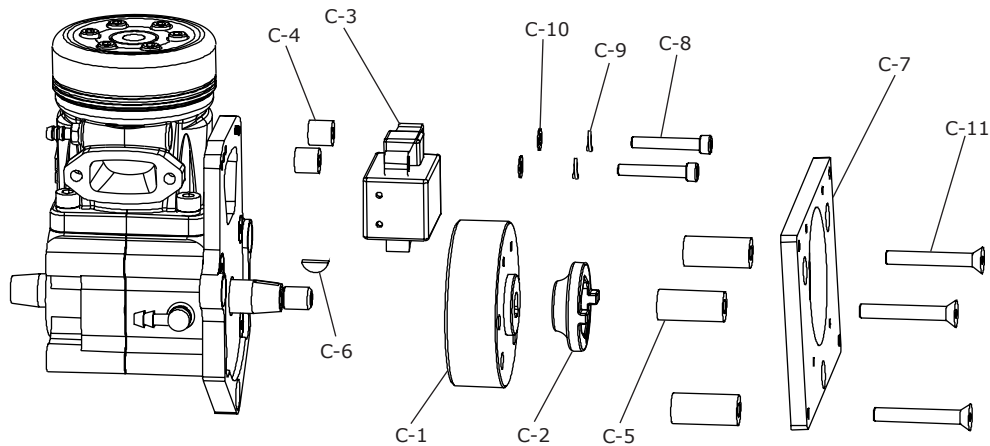
Key	Part Number	Description	Q'TY	Key	Part Number	Description	Q'TY
A-1	-	Bolt M5 X 45	4	A-11	RE0C9-02	Pin 3P x 8	3
A-2	RE191-05	SX254 Source coil mount	1	A-12	RE0C9-1D	Wrist Pin Bearing Spacer	2
A-3	RE191-04	SX254 Gasket for crankcase cooler	1	A-13	RO067-01	Needle Roller Bearing KT 8 11 10	1
A-4	RE191-02	SX254 Crankcase - R (front)	1	A-14	RE0C9-21	R254 Piston Ring 36mm	1
A-5	RE191-02	SX254 Crankcase - R (rear)	1	A-15	RE197-01	K30S Piston	1
A-6	RO065-03	Bearing 6001JRXLLU	2	A-16	RE0C9-25	Piston Pin 36mm	1
A-7	RO065-01	Bearing 6001C3	2	A-17	RE0C9-16	Snap-ring - C type	2
A-8	RE0C9-01	Brass oil plate	2	A-18	RO06F-06	O-ring P4	2
A-9	RE0CF-0D	Crank assembly - R (29mm)	1	A-19	RB1F5-04	Fitting AD M5-90	2
A-10	RE191-03	SX254 Gasket for Crankcase	1	A-20	RO06F-03	O-ring AN123	1

B. Cylinder Assamble



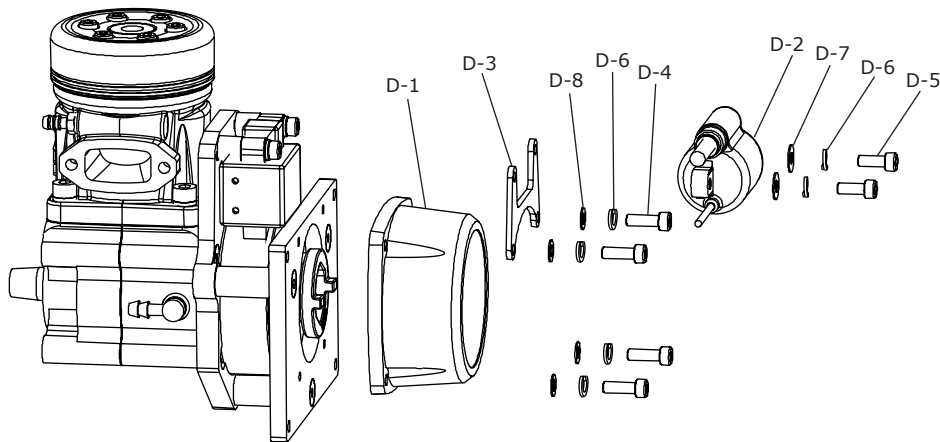
Key	Part Number	Description	Q'TY	Key	Part Number	Description	Q'TY
B-1	RE0CB-08	K30 Cylinder Cap	1	B-6	RO06F-06	O-ring P4	2
B-2	RE0CB-09	K30 Cylinder	1	B-7	RO06F-01	O-ring 16 x 2	1
B-3	RE0CD-0A	Gasket for K30 Cylinder Head	1	B-8	RO06F-0A	O-ring S48	1
B-4	RE0CD-0E	Gasket for K30 Cylinder(0.8)	1	B-9	-	Bolt M4 x 10	6
B-5	RB1F5-09	Fitting M5	2	B-10	-	Bolt M5 x 17	4

C. Rotor Assamble



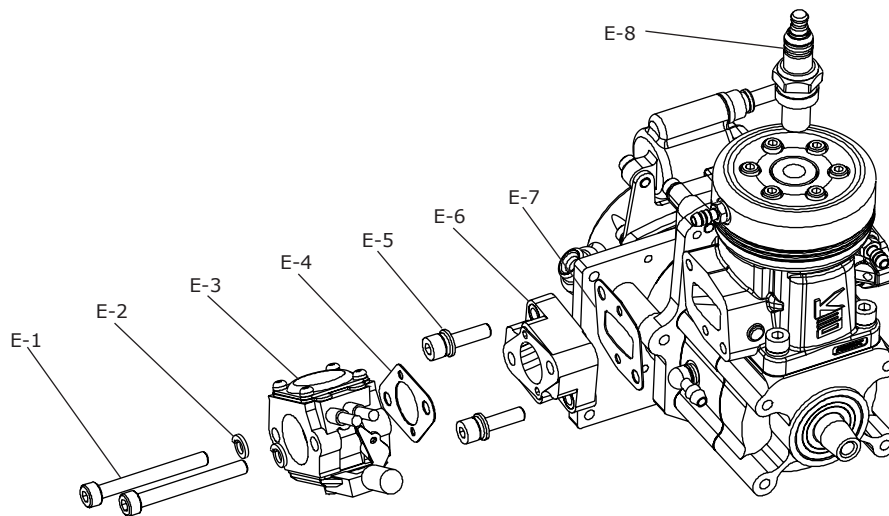
Key	Part Number	Description	Q'TY	Key	Part Number	Description	Q'TY
C-1	RE193-0A	S254 Rotor - R	1	C-7	-	Mount (Not include)	1
C-2	RE0C9-1B	Starter pulley Nut2 - R	1	C-8	-	Bolt M4 X 25	2
C-3	RE0C9-11	R254 Source coil	1	C-9	-	Spring washer P4	2
C-4	RE0C9-1F	Washer 9 x 8.5	2	C-10	-	Washer P4	2
C-5	RE191-06	SX254 Source coil mount spacer	3	C-11	-	Bolt M5 X 35	3
C-6	RE0C9-1C	Woodruff key	1				

D. Pulley Assamble



Key	Part Number	Description	Q'TY	Key	Part Number	Description	Q'TY
D-1	RE0C9-13	Recoil Starter - R	1	D-5	-	Bolt M4 X 10	2
D-2	RE0C9-0B	R254 Ignition coil	1	D-6	-	Spring washer P4	6
D-3	RB0CF-0C	Ignition plate 2	1	D-7	-	Washer P4	2
D-4	-	Bolt M4 X 12	4	D-8	-	Washer P4 (small)	4

E. Caburator Assamble



Key	Part Number	Description	Q'TY	Key	Part Number	Description	Q'TY
E-1	-	Bolt M5 x 45	2	E-5	-	Bolt M5 X 20	2
E-2	-	Spring Washer P5	2	E-6	RE0C9-0E	R254 Insulator block	1
E-3	RO071-02	Carburetor WT-929	1	E-7	RE0CD-06	Gasket for Insulator	1
E-4	RE0CD-01	Gasket for Carburetor	1	E-8	RO073-03	Spark Plug - CMR7H	1