

HIGH PERFORMANCE
Model Gas Engine
K30S
Reverse Rotation

Engine Features

- 4 bearings crank case
- 6001 standard bearing for crankshaft
- Stronger crankshaft and connecting rod
- Walbro WT-929 carburetor
- Modified piston
- Water cooling cylinder
- Start pulley

WARNING



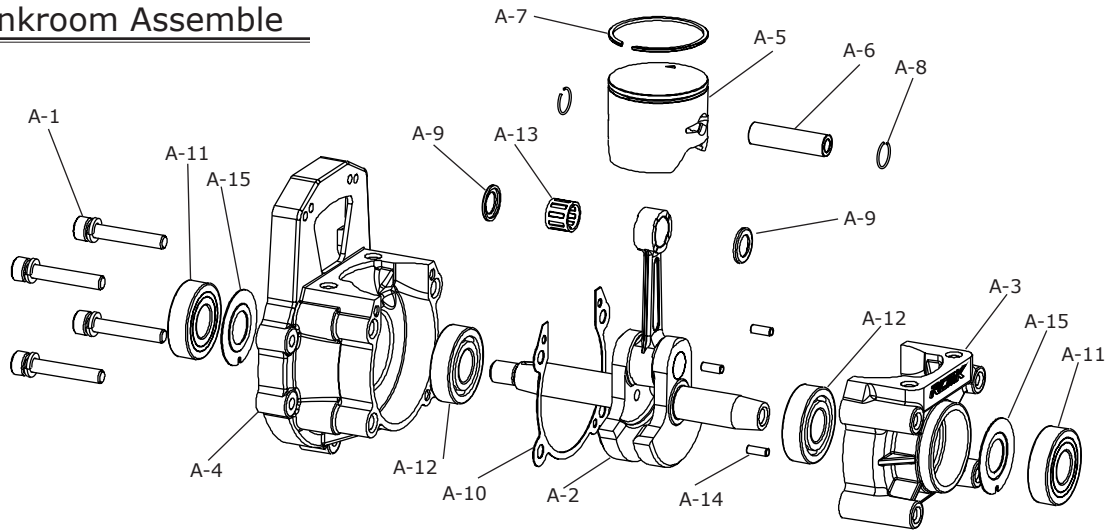
Model Gas Engine **K30S-R**
www.rcmk.com

- Before use engine, read description necessarily.
- This engine is designed and made for use on model boat. So we recommend to use on model boat
- Use genuine parts for replacement.
- Check the bolts fixation condition of engine every time. If the bolts are loosed, fix the loosed bolt, and after check once again.

Assembly Method

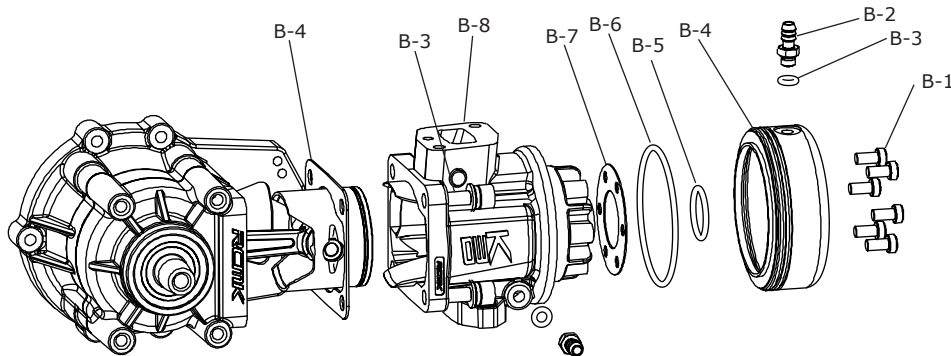


A. Crankroom Assemble



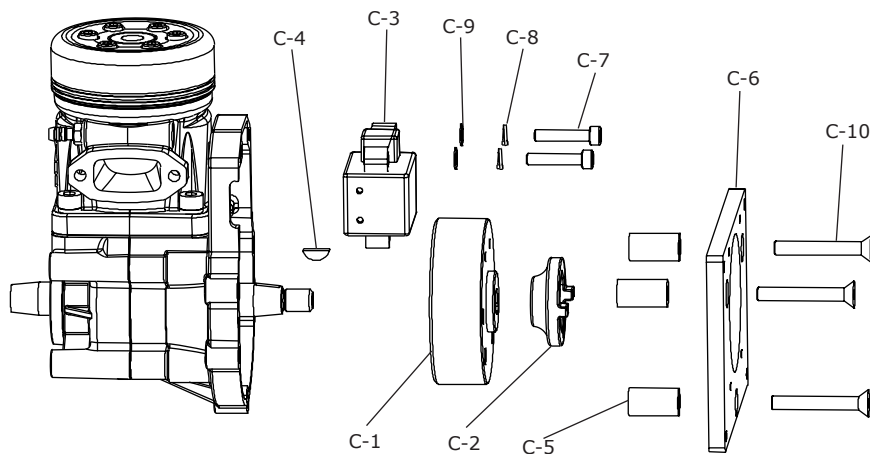
Key	Part Number	Description	Q'TY	Key	Part Number	Description	Q'TY
A-1	-	Bolt M5 X 30	4	A-9	RE0C9-1D	Wrist Pin Bearing Spacer	2
A-2	RE0CF-02	Crank assembly - R	1	A-10	RE193-05	S254 Gasket for Crankcase	1
A-3	RE193-02	S254 crankcase - R front	1	A-11	RO065-03	Bearing 6001JRXLLU	2
A-4	RE193-02	S254 crankcase - R rear	1	A-12	RO065-01	Bearing 6001C3	2
A-5	RE197-01	K30S Piston	1	A-13	RO067-01	Needle roller bearing KT 8 11 10	1
A-6	RE0C9-25	Piston pin for K30S	1	A-14	RE0C9-02	Pin 3P x 8	3
A-7	RE0C9-21	Piston Ring 36mm	1	A-15	RE0C9-01	Brass oil plate	2
A-8	RE0C9-16	Snap-ring C type	2				

B. Cylinder Assemble



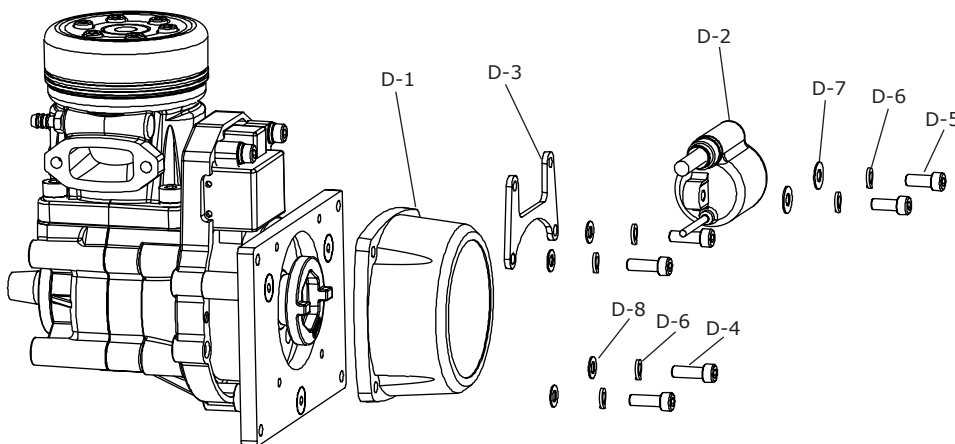
Key	Part Number	Description	Q'TY	Key	Part Number	Description	Q'TY
B-1	-	Bolt M4 X 10	6	B-6	RO06F-01	O-ring 16 x 2	1
B-2	RE0CB-08	K30 Cylinder Cap	1	B-7	RE0CB-09	K30 Cylinder	1
B-3	RO06F-06	O-ring P4	2	B-8	RE0CD-0B	Gasket for K30 Cylinder (0.2)	1
B-4	RB1F5-09	Fitting M5	2	B-9	RO06F-0A	O-ring S48	1
B-5	RE0CD-0A	Gasket for K30 Cylinder Head	1	B-10	-	Bolt M5 x 17	4

C. Rotor Assemble



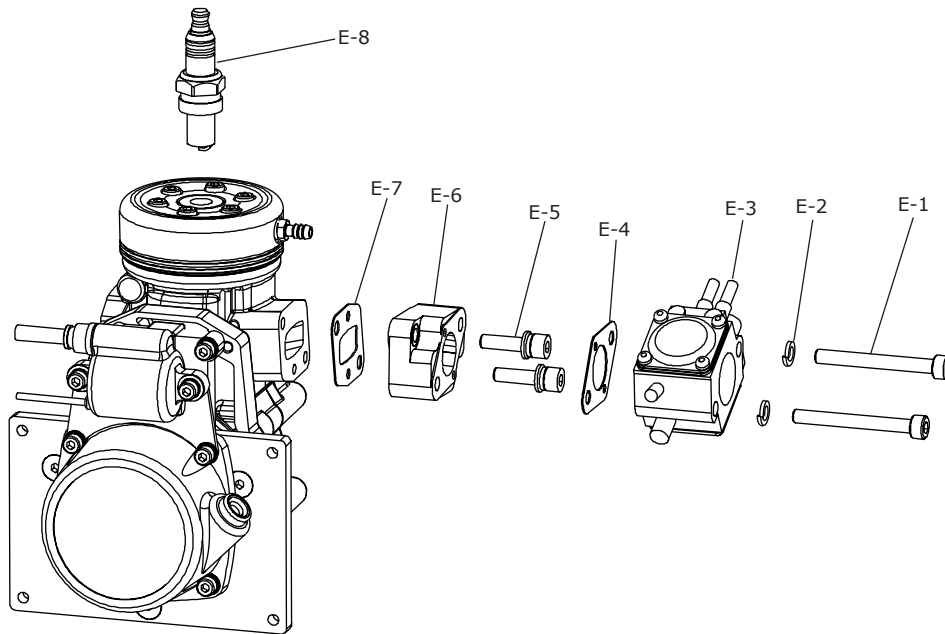
Key	Part Number	Description	Q'TY	Key	Part Number	Description	Q'TY
C-1	RE193-0A	S254 Rotor -R	1	C-6	-	Mount (Not include)	1
C-2	RE0C9-1B	Starter pulley nut2 - R	1	C-7	-	Bolt M4 X 20	2
C-3	RE0C9-11	R254 Source coil	1	C-8	-	Spring washer P4	2
C-4	RE0C9-1C	Woodruff key	1	C-9	-	Washer P4	2
C-5	RE193-04	S254 Crankcase washer	3	C-10	-	Bolt M5 X 35	3

D. Pulley Assemble



Key	Part Number	Description	Q'TY	Key	Part Number	Description	Q'TY
D-1	RE0C9-13	Recoil Starter - R	1	D-5	-	Bolt M4 X 10	2
D-2	RE0C9-0B	R254 Ignition coil	1	D-6	-	Spring washer P4	6
D-3	RB0CF-0C	Ignition plate 2	1	D-7	-	Washer P4	2
D-4	-	Bolt M4 X 12	4	D-8	-	Washer P4 (small)	4

E. Caburator Assemble



Key	Part Number	Description	Q'TY	Key	Part Number	Description	Q'TY
E-1	-	Bolt M5 x 45	2	E-5	-	Bolt M5 X 20	2
E-2	-	Spring Washer P5	2	E-6	RE0C9-0E	R254 Insulator block	1
E-3	RO071-02	Carburetor WT-929	1	E-7	RE0CD-06	Gasket for Insulator	1
E-4	RE0CD-01	Gasket for Carburetor	1	E-8	RO073-03	Spark Plug - CMR7H	1