

HIGH PERFORMANCE  
Model Gas Engine  
**K30RZ**

Engine Features

- 4 bearings crank case
- 6001 standard bearing for crankshaft
- Stronger crankshaft and connecting rod
- Walbro WT-927 carburetor
- Water cooling cylinder
- Start pulley

**WARNING**



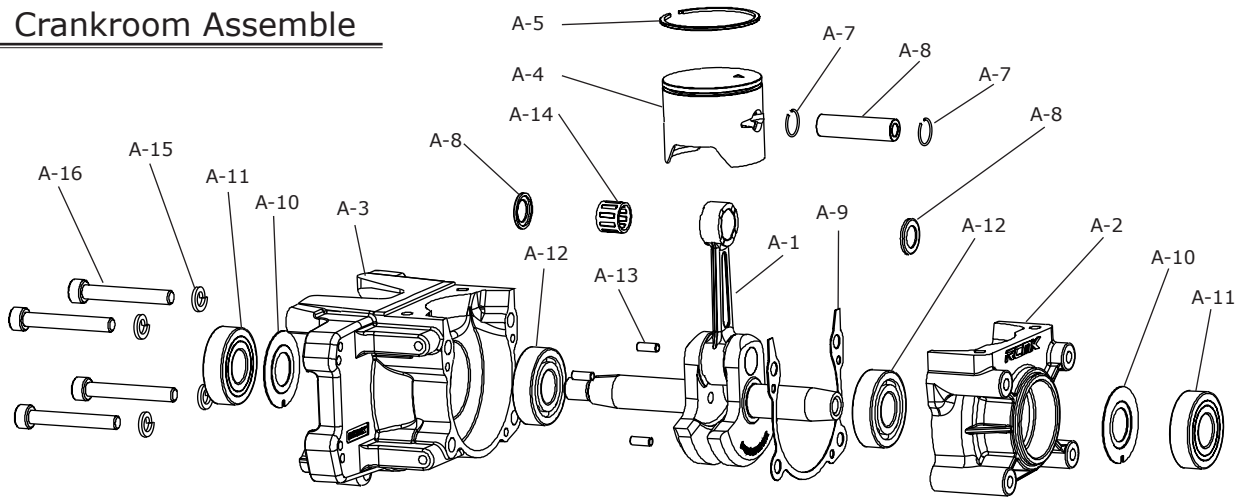
Model Gas Engine **K30RZ**  
[www.rcmk.com](http://www.rcmk.com)

- Before use engine, read description necessarily.
- This engine is designed and made for use on model boat. So we recommend to use on model boat
- Use genuine parts for replacement.
- Check the bolts fixation condition of engine every time. If the bolts are loosed, fix the loosed bolt, and after check once again.

**Assembly Method**

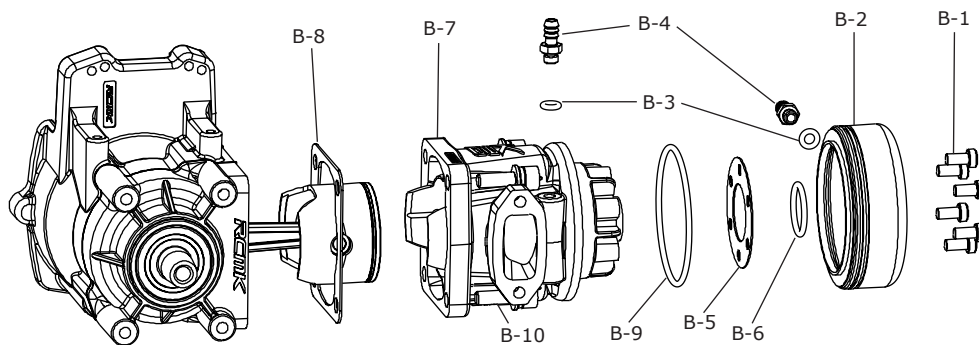


**A. Crankroom Assemble**



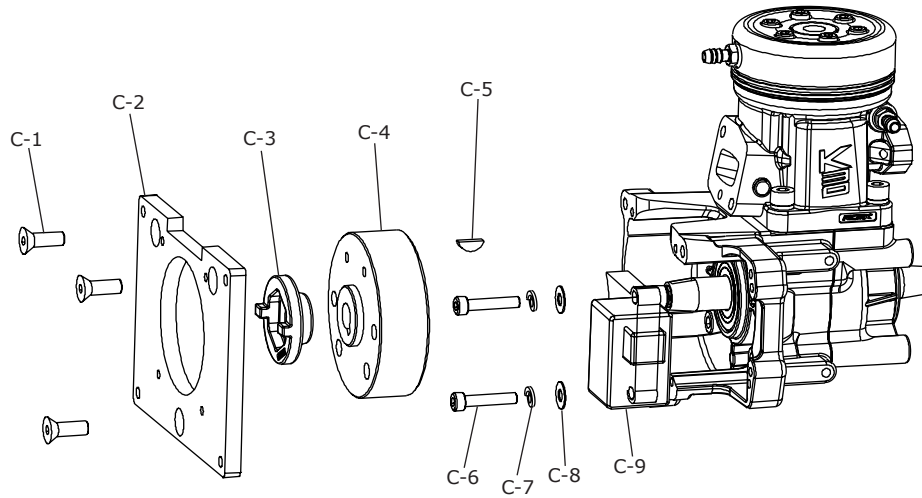
Key	Part Number	Description	Q'TY	Key	Part Number	Description	Q'TY
A-1	RE0CF-03	Crank assembly -Long Stroke	1	A-9	RE131-04	RZ254 Gasket for Crankcase	1
A-2	RE131-01	RZ Crankcase Front	1	A-10	RE0C9-01	Brass oil plate	2
A-3	RE131-01	RZ Crankcase Rear	1	A-11	RO065-03	Bearing 6001JRLLU	2
A-4	RE133-01	K30R Piston	1	A-12	RO065-01	Bearing 6001C3	2
A-5	RE0C9-21	Piston Ring 36mm	1	A-13	RE0C9-02	Pin 3P x 8	3
A-6	RE0C9-26	Piston pin for K30R	1	A-14	RO067-01	Needle Roller Bearing KT 8 11 10	1
A-7	RE0C9-16	Snap-ring - C type	1	A-15	-	Spring Washer P5	4
A-8	RE0C9-1D	Wrist Pin Bearing Spacer	2	A-16	-	Bolt M5 x 35	4

**B. Cylinder Assemble**



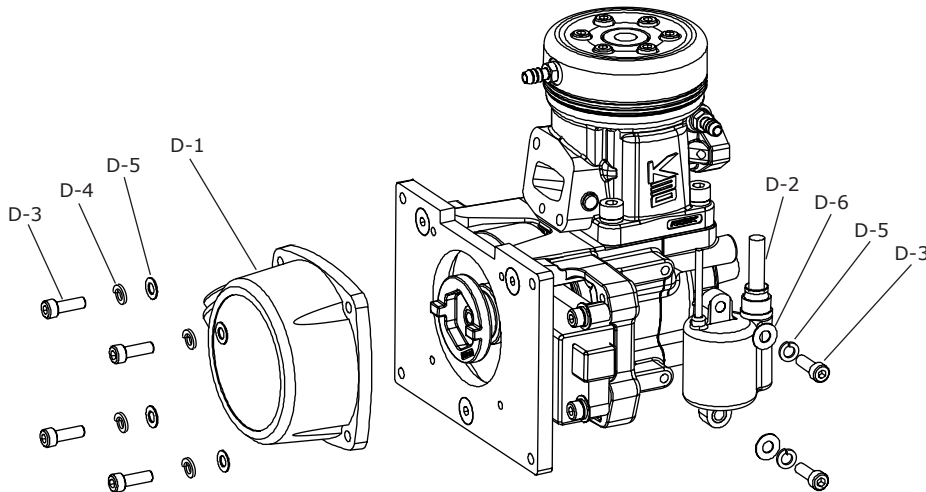
Key	Part Number	Description	Q'TY	Key	Part Number	Description	Q'TY
B-1	-	Bolt M4 x 10	6	B-6	RO06F-01	O-ring 16 x 2	1
B-2	RE0CB-08	K30 Cylinder Cap	1	B-7	RE0CB-0C	K30RZ Cylinder	1
B-3	RO06F-06	O-ring P4	2	B-8	RE0CD-0E	Gasket for K30 Cylinder(0.8)	1
B-4	RB1F5-09	Fitting M5	2	B-9	RO06F-0A	O-ring S48	1
B-5	RE0CD-0A	Gasket for K30 Cylinder Head	1	B-10	-	Bolt M5 x 17	4

**C. Rotor Assemble**



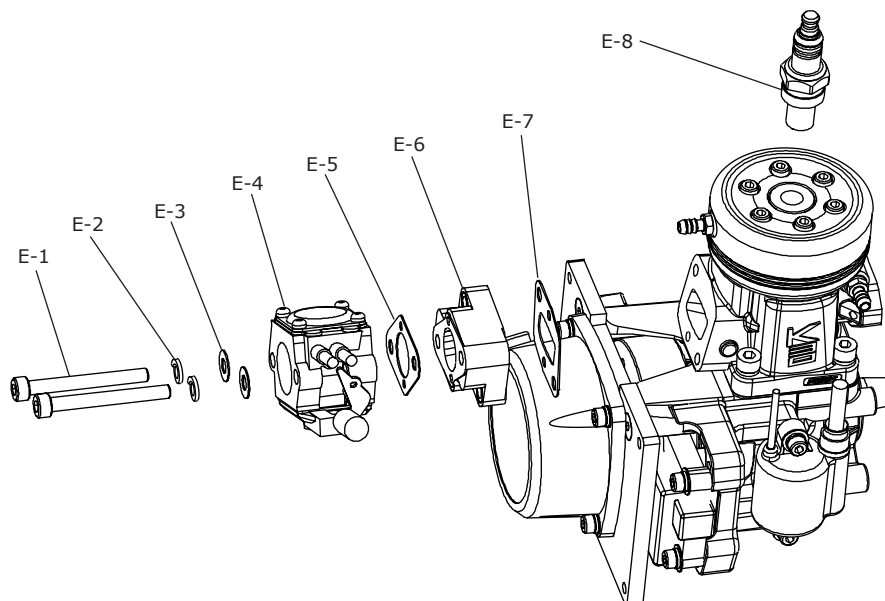
Key	Part Number	Description	Q'TY	Key	Part Number	Description	Q'TY
C-1	-	Bolt M5 x 15	3	C-6	-	Bolt M4 x 20	2
C-2	-	Mount (Not include)	1	C-7	-	Spring Washer P4	2
C-3	RE0C9-1A	Starter Pulley Nut2	1	C-8	-	Washer P4	2
C-4	RE131-08	RZ254 Rotor	1	C-9	RE0C9-11	R254 Source Coil	1
C-5	RE0C9-1C	Woodruff Key	1				

**D. Coil Assemble**



Key	Part Number	Description	Q'TY	Key	Part Number	Description	Q'TY
D-1	RE0C9-12	Recoil Starter	1	D-4	-	Spring Washer P4	6
D-2	RE0C9-0B	R254 Ignition Coil	1	D-5	-	Washer P4 (small)	2
D-3	-	Bolt M4 x 12	6	D-6	-	Washer P4	4

E. Caburator Assemble



Key	Part Number	Description	Q'TY	Key	Part Number	Description	Q'TY
E-1	-	Bolt M5 x 45	2	E-5	-	Bolt M5 X 20	2
E-2	-	Spring Washer P5	2	E-6	RE0C9-0E	R254 Insulator block	1
E-3	RO071-02	Carburator WT-929	1	E-7	RE0CD-06	Gasket for Insulator	1
E-4	RE0CD-01	Gasket for Carburator	1	E-8	RO073-03	Spark Plug - CMR7H	1