

HIGH PERFORMANCE
Model Gas Engine
K30RZ
Reverse Rotation

Engine Features

- 4 bearings crank case
- 6001 standard bearing for crankshaft
- Stronger crankshaft and connecting rod
- Walbro WT-927 carburetor
- Water cooling cylinder
- Start pulley

WARNING



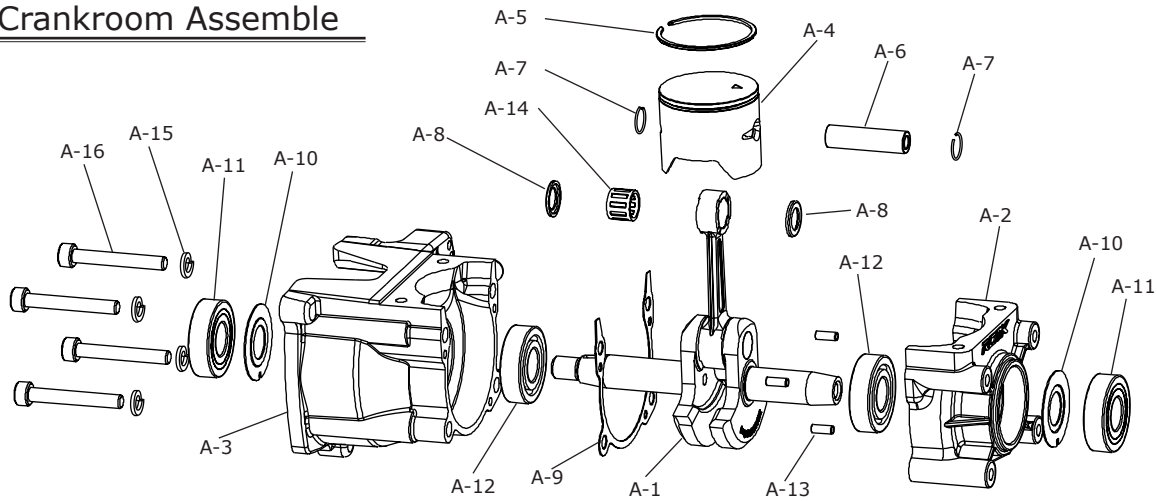
Model Gas Engine **K30RZ-R**
www.rcmk.com

- Before use engine, read description necessarily.
- This engine is designed and made for use on model boat. So we recommend to use on model boat
- Use genuine parts for replacement.
- Check the bolts fixation condition of engine every time. If the bolts are loosed, fix the loosed bolt, and after check once again.

Assembly Method

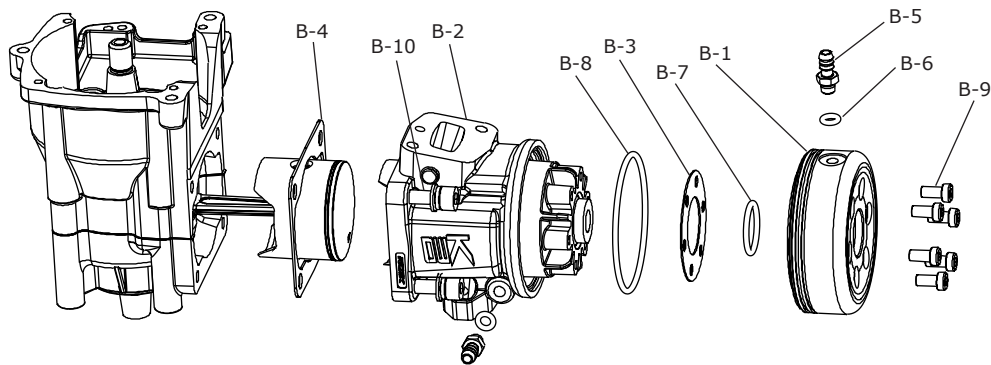


A. Crankroom Assemble



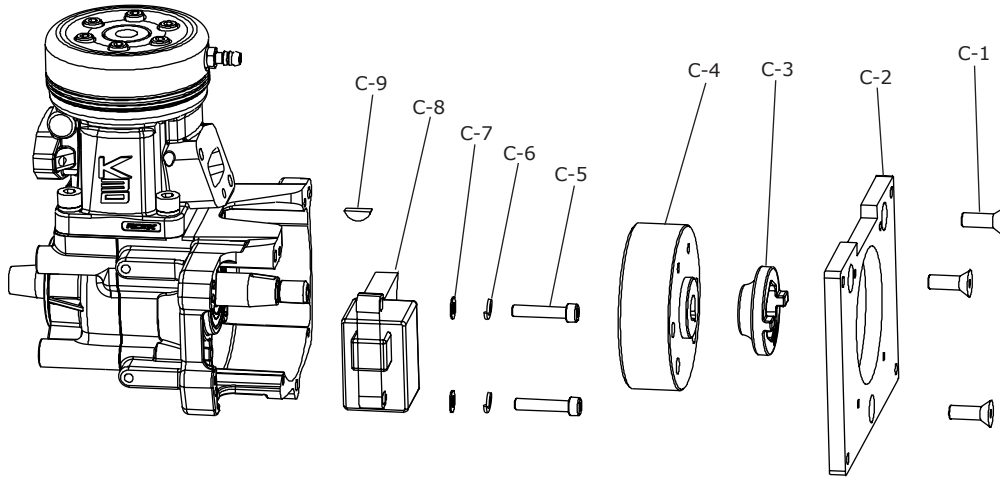
Key	Part Number	Description	Q'TY	Key	Part Number	Description	Q'TY
A-1	RE0CF-0D	Crank assembly - R (29mm)	1	A-9	RE131-04	RZ254 Gasket for Crankcase	1
A-2	RE131-01	RZ Crankcase Front	1	A-10	RE0C9-01	Brass oil plate	2
A-3	RE131-01	RZ Crankcase Rear	1	A-11	RO065-03	Bearing 6001JRLLU	2
A-4	RE133-02	K30R-R Piston	1	A-12	RO065-01	Bearing 6001C3	2
A-5	RE0C9-21	Piston Ring 36mm	1	A-13	RE0C9-02	Pin 3P x 8	3
A-6	RE0C9-26	Piston pin for K30R	1	A-14	RO067-01	Needle Roller Bearing KT 8 11 10	1
A-7	RE0C9-16	Snap-ring - C type	2	A-15	-	Spring Washer P5	4
A-8	RE0C9-1D	Wrist Pin Bearing Spacer	2	A-16	-	Bolt M5 x 35	4

B. Cylinder Assemble



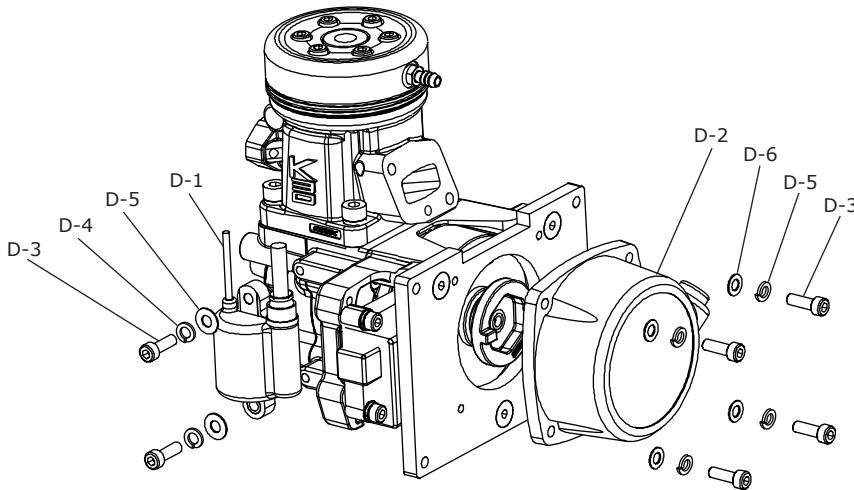
Key	Part Number	Description	Q'TY	Key	Part Number	Description	Q'TY
B-1	RE0CB-08	K30 Cylinder Cap	1	B-6	RO06F-06	O-ring P4	2
B-2	RE0CB-0C	K30RZ Cylinder	1	B-7	RO06F-01	O-ring 16 x 2	1
B-3	RE0CD-0A	Gasket for K30 Cylinder Head	1	B-8	RO06F-0A	O-ring S48	1
B-4	RE0CD-0E	Gasket for K30 Cylinder (0.8)	1	B-9	-	Bolt M4 x 10	6
B-5	RB1F5-09	Fitting M5	2	B-10	-	Bolt M5 x 17	4

C. Rotor Assemble



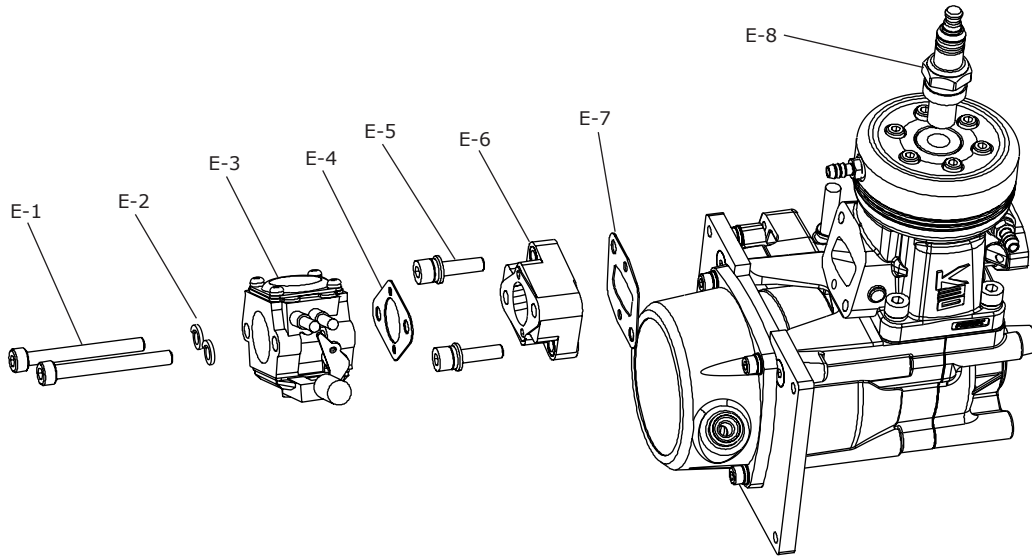
Key	Part Number	Description	Q'TY	Key	Part Number	Description	Q'TY
C-1	-	Bolt M5 x 15	3	C-6	-	Bolt M4 X 20	2
C-2	-	Mount (Not include)	1	C-7	-	Spring Washer P4	2
C-3	RE0C9-1B	Starter Pulley Nut2 - R	1	C-8	-	Washer P4	2
C-4	RE131-09	RZ254 Rotor - R	1	C-9	RE0C9-11	R254 Source Coil	1
C-5	RE0C9-1C	Woodruff Key	1				

D. Coil Assemble



Key	Part Number	Description	Q'TY	Key	Part Number	Description	Q'TY
D-1	RE0C9-13	Recoil Starter - R	1	D-4	-	Spring Washer P4	6
D-2	RE0C9-0B	R254 Ignition Coil	1	D-5	-	Washer P4 (small)	2
D-3	-	Bolt M4 x 12	6	D-6	-	Washer P4	4

E. Caburator Assamble



Key	Part Number	Description	Q`TY	Key	Part Number	Description	Q`TY
E-1	-	Bolt M5 x 45	2	E-5	-	Bolt M5 X 20	2
E-2	-	Spring Washer P5	2	E-6	RE0C9-0E	R254 Insulator block	1
E-3	RO071-02	Carburator WT-929	1	E-7	RE0CD-06	Gasket for Insulator	1
E-4	RE0CD-01	Gasket for Carburator	1	E-8	RO073-03	Spark Plug - CMR7H	1