

HIGH PERFORMANCE
Model Gas Engine
K30R

Engine Features

- 4 bearings crank case
- 6001 standard bearing for crankshaft
- Stronger crankshaft and connecting rod
- Walbro WT-927 carburator
- Water cooling cylinder
- Start pulley

WARNING



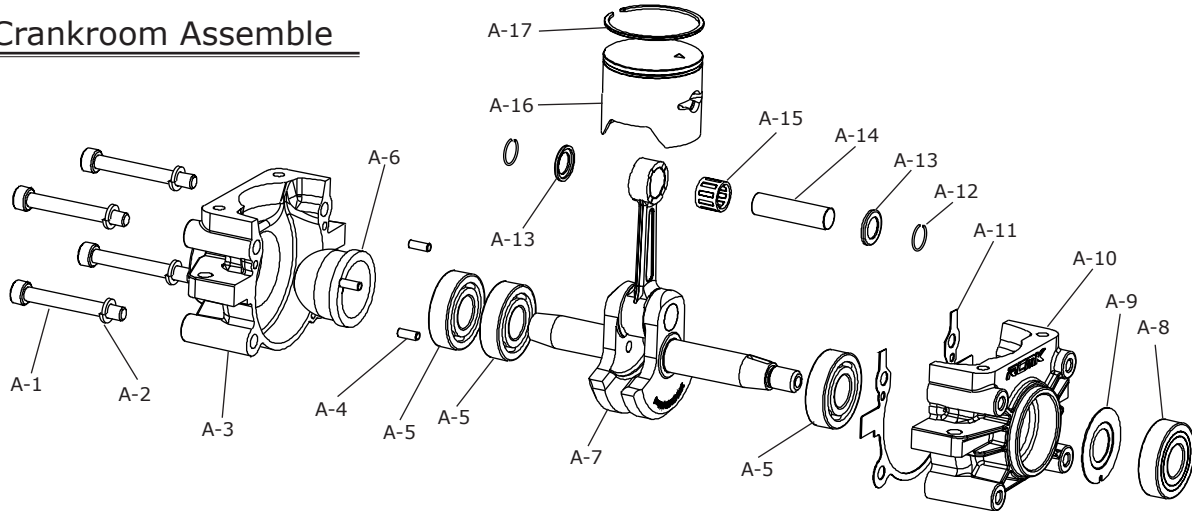
Model Gas Engine **K30R**
www.rcmk.com

- Before use engine, read description necessarily.
- This engine is designed and made for use on model boat. So we recommend to use on model boat
- Use genuine parts for replacement.
- Check the bolts fixation condition of engine every time. If the bolts are loosed, fix the loosed bolt, and after check once again.

Assembly Method

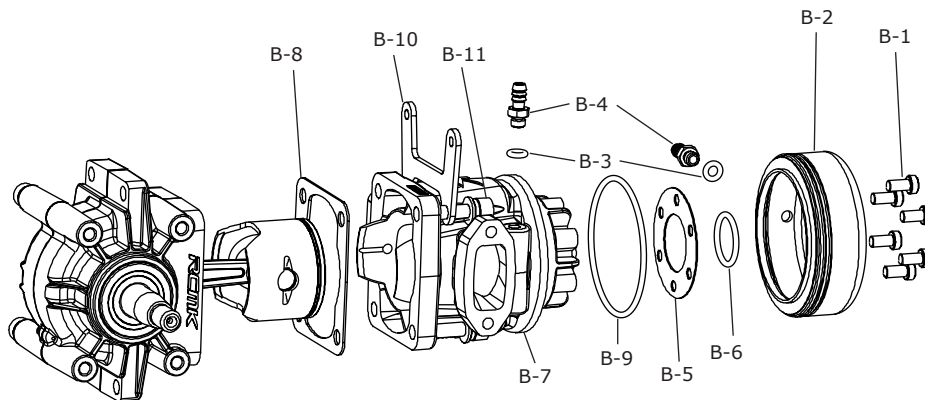


A. Crankroom Assemble



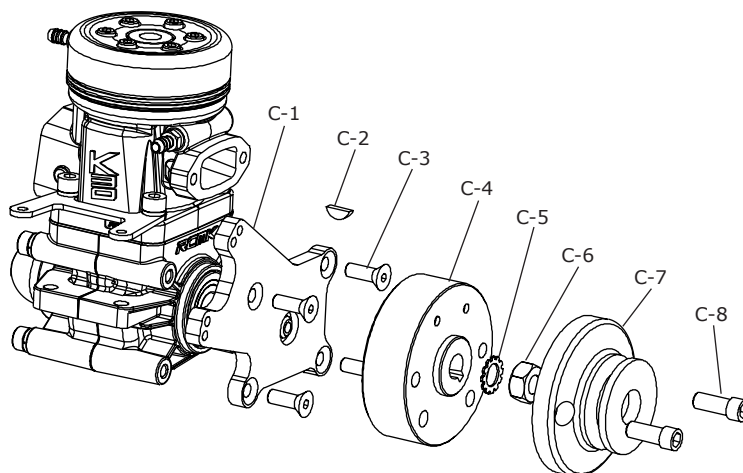
Key	Part Number	Description	Q'TY	Key	Part Number	Description	Q'TY
A-1	-	Bolt M5 x 40	4	A-10	RE12F-01	R254 Crankcase (Rear)	1
A-2	-	Spring Washer P5	4	A-11	RE12F-04	R254 Gasket for Crankcase	1
A-3	RE12F-01	R254 Crankcase (Front)	1	A-12	RE0C9-16	Snap-ring C type	2
A-4	RE0C9-02	Pin 3P x 8	4	A-13	RE0C9-1D	Wrist Pin Bearing Spacer	2
A-5	RO065-01	Bearing 6001C3	3	A-14	RE0C9-26	Piston Pin for K30R	1
A-6	RE12F-01	R254 Crankcase (Cap)	1	A-15	RO067-01	Needle Roller Bearing KT 8 11 10	1
A-7	RE0CF-03	Crank assembly - Long Stroke	1	A-16	RE133-01	K30R Piston	1
A-8	RO065-03	Bearing 6001JRLLU	1	A-17	RE0C9-21	Piston ring 36mm	1
A-9	RE0C9-01	Brass oil plate	1				

B. Cylinder Assemble



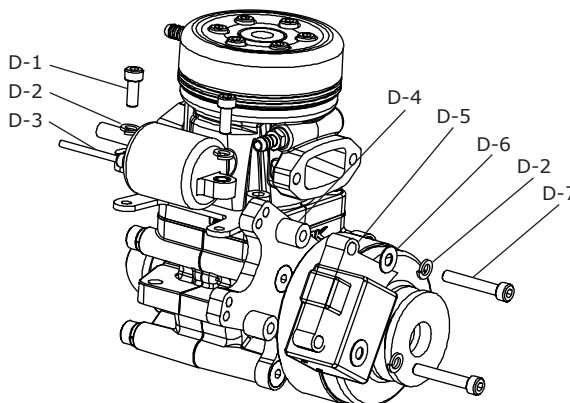
Key	Part Number	Description	Q'TY	Key	Part Number	Description	Q'TY
B-1	-	Bolt M4 x 10	6	B-7	RE0CB-09	K30 Cylinder	1
B-2	RE0CB-08	K30 Cylinder Cap	1	B-8	RE0CD-0E	Gasket for K30 Cylinder(0.8)	1
B-3	RO06F-06	O-ring P4	2	B-9	RO06F-0A	O-ring S48	1
B-4	RB1F5-09	Fitting M5	2	B-10	RE0C9-0C	R254 Ignition Coil Mount	1
B-5	RE0CD-0A	Gasket for K30 Cylinder Head	1	B-11	-	Bolt M5 x 17	4
B-6	RO06F-01	O-ring 16 x 2	1				

C. Rotor Assemble



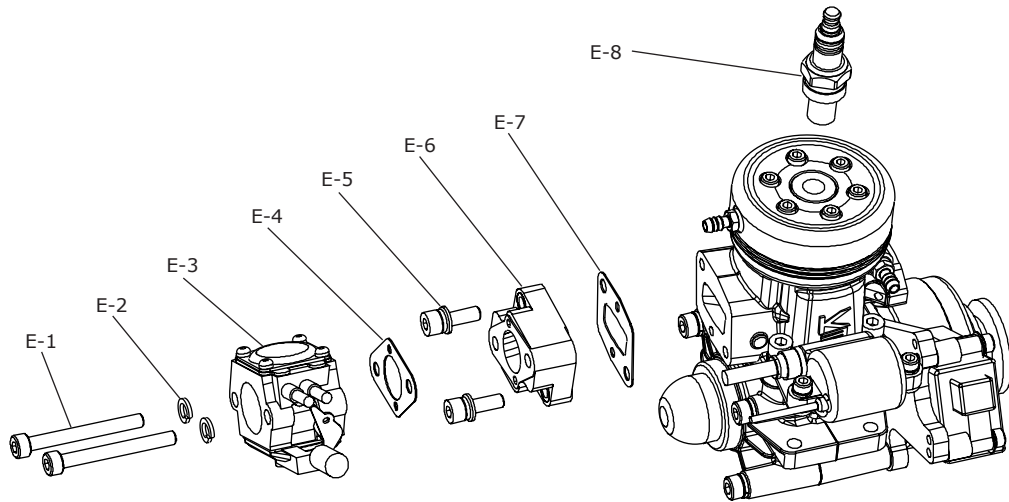
Key	Part Number	Description	Q'TY	Key	Part Number	Description	Q'TY
C-1	RE12F-09	R254 Source Coil Mount	1	C-5	-	Rock Washer	1
C-2	RE0C9-1C	Woodruff Key	1	C-6	-	Nut M8 x P1.0	1
C-3	-	Bolt M5 x 15	4	C-7	RE0C9-07	Pooly Rear Exhaust - Type A	1
C-4	RE12F-07	R254 Rotor	1	C-8	-	Special Bolt M6 x 15	2

D. Coil Assemble



Key	Part Number	Description	Q'TY	Key	Part Number	Description	Q'TY
D-1	-	Bolt M4 x 10	2	D-5	RE0C9-11	R254 Source Coil	1
D-2	-	Spring Washer P4	4	D-6	-	Washer P4	2
D-3	RE0C9-0B	R254 Ignition Coil	1	D-7	-	Bolt M4 x 25	2
D-4	RE0C9-20	Washer 9x9	2				

E. Caburator Assemble



Key	Part Number	Description	Q'TY	Key	Part Number	Description	Q'TY
E-1	-	Bolt M5 x 45	2	E-5	-	Bolt M5 X 20	2
E-2	-	Spring Washer P5	2	E-6	RE0C9-0E	R254 Insulator block	1
E-3	RO071-02	Carburator WT-929	1	E-7	RE0CD-06	Gasket for Insulator	1
E-4	RE0CD-01	Gasket for Carburator	1	E-8	RO073-03	Spark Plug CMR7H	1