

HIGH PERFORMANCE  
Model Gas Engine  
**K30R**  
Reverse Rotation

Engine Features

- 4 bearings crank case
- 6001 standard bearing for crankshaft
- Stronger crankshaft and connecting rod
- Walbro WT-257 carburetor
- Modified piston
- Water cooling cylinder
- Start pulley

**WARNING**

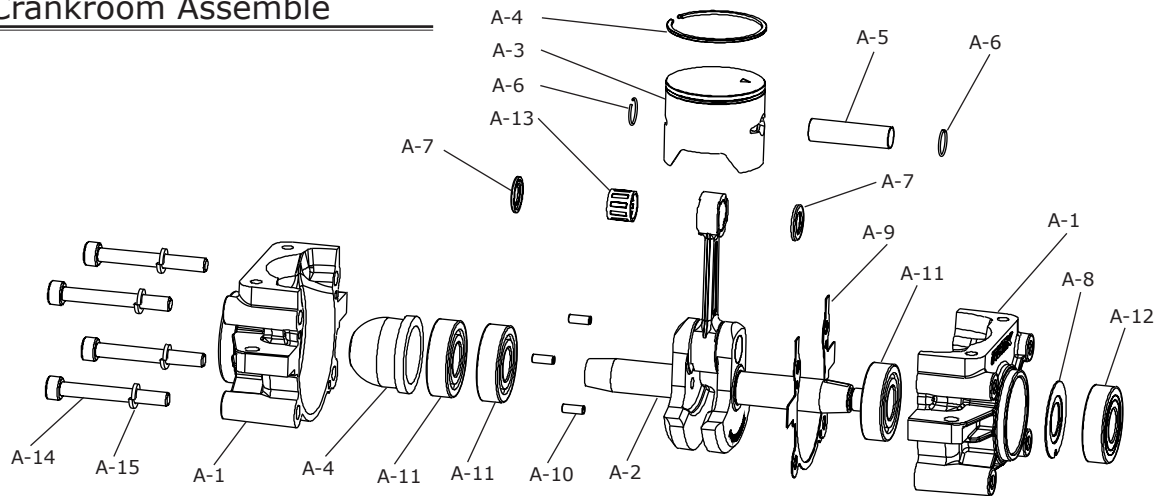


- Before use engine, read description necessarily.
- This engine is designed and made for use on model boat. So we recommend to use on model boat
- Use genuine parts for replacement.
- Check the bolts fixation condition of engine every time. If the bolts are loosed, fix the loosed bolt, and after check once again.

**Assembly Method**

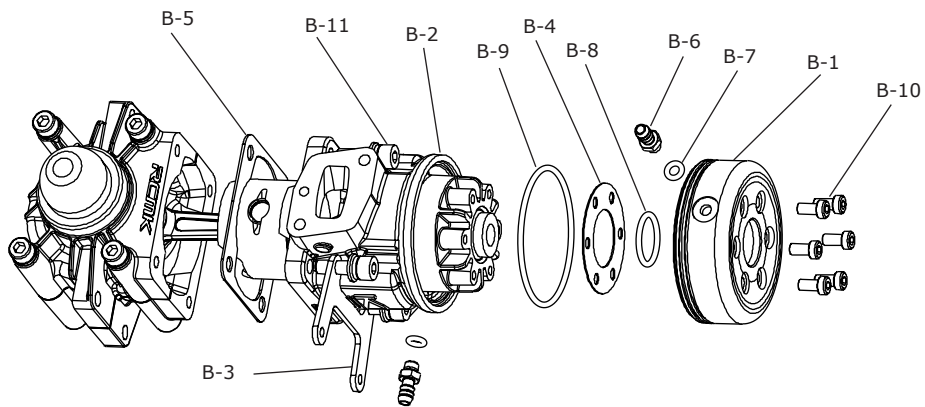


**A. Crankroom Assemble**



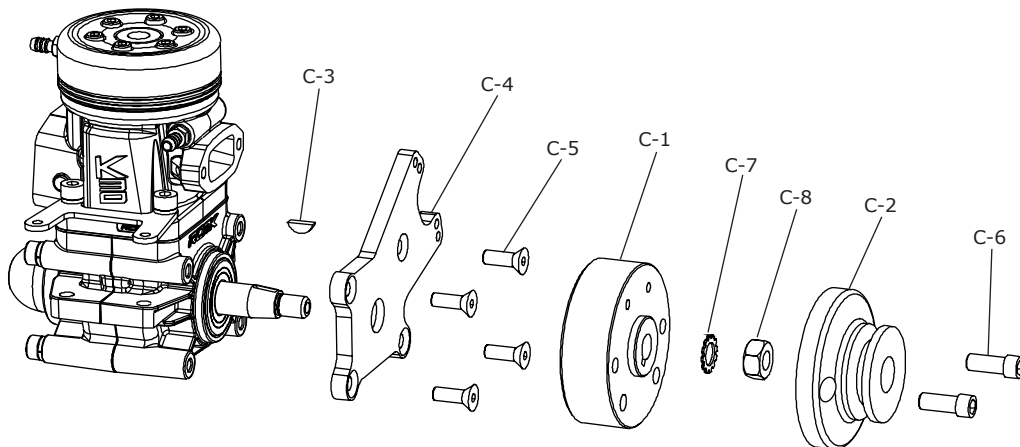
Key	Part Number	Description	Q'TY	Key	Part Number	Description	Q'TY
A-1	RE12F-01	R254 Crankcase	1	A-9	RE12F-04	R254 Gasket for Crankcase	1
A-2	RE0CF-0D	Crank assembly - R (29mm)	1	A-10	RE0C9-02	Pin 3P x 8	3
A-3	RE133-02	K30R-R Piston	1	A-11	RO065-01	Bearing 6001C3	3
A-4	RE0C9-21	Piston Ring 36mm	1	A-12	RE065-03	Bearing 6001JRXLLU	1
A-5	RE0C9-26	Piston Pin for K30R	1	A-13	RO067-01	Beedle Roller Bearing KT 8 11 10	1
A-6	RE0C9-16	Snap-ring - C type	2	A-14	-	Bolt M5 x 40	4
A-7	RE0C9-1D	Wrist Pin Bearing Spacer	2	A-15	-	Spring Washer P5	4
A-8	RE0C9-01	Brass oil plate	1				

**B. Cylinder Assemble**



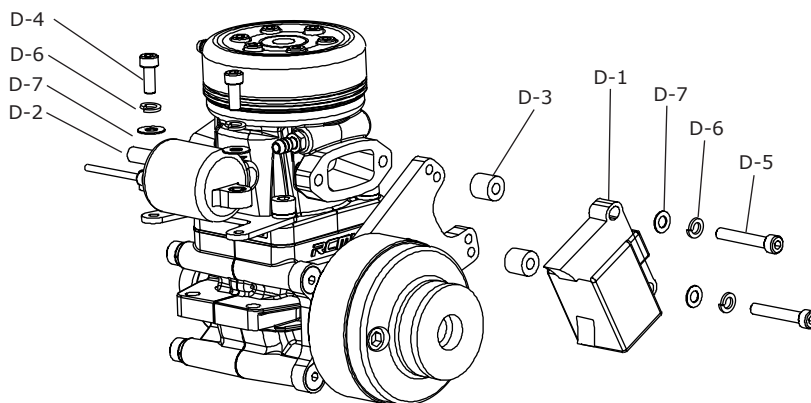
Key	Part Number	Description	Q'TY	Key	Part Number	Description	Q'TY
B-1	RE0CB-08	K30 Cylinder Cap	1	B-7	RO06F-06	O-ring P4	2
B-2	RE0CB-09	K30 Cylinder	1	B-8	RO06F-01	O-ring 16 x 2	1
B-3	RE0C9-0C	R254 Ignition Coil Mount	1	B-9	RO06F-04	O-ring S48	1
B-4	RE0CD-0A	Gasket for K30 Cylinder Head	1	B-10	-	Bolt M4 x 10	6
B-5	RE0CD-0E	Gasket for K30 Cylinder (0.8)	1	B-11	-	Bolt M5 x 17	4
B-6	RB1F5-09	Fitting M5	2				

**C. Rotor Assemble**



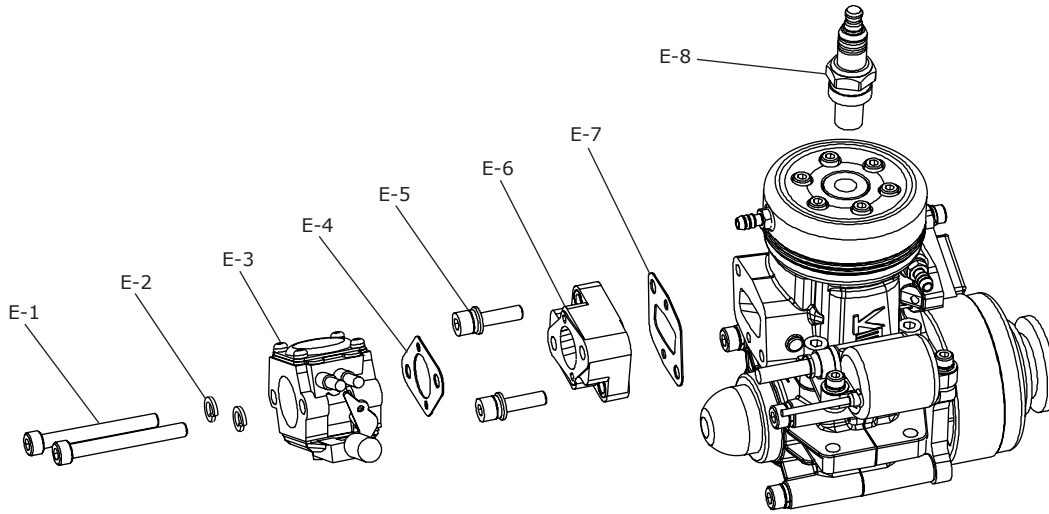
Key	Part Number	Description	Q'TY	Key	Part Number	Description	Q'TY
C-1	RE12F-08	R254 Rotor - R	1	C-5	-	Bolt M5 x 15	4
C-2	RE0C9-08	Pooly for Rear Exhaust - Type A - R	1	C-6	-	Bolt M6 x 15	2
C-3	RE0C9-1C	Woodruff key	1	C-7	-	Rock Washer P8	1
C-4	RE12F-09	R254 Source Coil Mount	1	C-8	-	Nut M8 x P1.0	1

**D. Coil Assemble**



Key	Part Number	Description	Q'TY	Key	Part Number	Description	Q'TY
D-1	RE0C9-11	R254 Source Coil	1	D-5	-	Bolt M4 x 25	2
D-2	RE0C9-0B	R254 Ignition Coil	1	D-6	-	Spring Washer P4	4
D-3	RE0C9-1F	Washer 9 x 8.5	2	D-7	-	Washer P4	2
D-4	-	Bolt M4 x 10	2				

**E. Caburator Assemble**



Key	Part Number	Description	Q'TY	Key	Part Number	Description	Q'TY
E-1	-	Bolt M5 x 45	2	E-5	-	Bolt M5 X 20	2
E-2	-	Spring Washer P5	2	E-6	RE0C9-0E	R254 Insulator block	1
E-3	RO071-02	Carburator WT-929	1	E-7	RE0CD-06	Gasket for Insulator	1
E-4	RE0CD-01	Gasket for Carburator	1	E-8	RO073-03	Spark Plug - CMR7H	1